



ATW TECH. CO., LTD.

PRODUCT SPECIFICATION

PRODUCT NAME

5V1.5A CAR CHARGER

PART NUMBER

G12PCL-688-0031

ATW-688

DOC. NO.: WI-CA-231

AUTHOR: Y.Q.LI

DATE: 07-Mar-12`

REV.: 0

APPROVED

SIGNED:H.S_CHEN

DATE: 2012.3.7

CHECKED

SIGNED: X.H_ZHENG

DATE: 2012.3.7



ATW
TECH. CO., LTD.

**PRODUCT
SPECIFICATION**
G12PCL-688-0031

DOC.No.: WI-CA-231

DATE: 07-Mar-12'

REV.: 0

CONTENTS

Section	Description	Page
1.0	Scope	3
2.0	Applicable Documents and Specifications	3
3.0	Ratings	3
4.0	Appearance Inspection Specified	4
5.0	Mechanical Valuation And Test Specifications	4
6.0	Electrical Test Specifications	5
7.0	Environmental Test Specifications	6
8.0	Product Drawing	7
9.0	Package	8



ATW
TECH. CO., LTD.

**PRODUCT
SPECIFICATION**
G12PCL-688-0031

DOC.No.: WI-CA-231

DATE: 07-Mar-12'

REV.: 0

1. SCOPE

This document describes mechanical , electrical and environmental test specifications for the CLA G12PCL-688-0031 .

All tests should , if nothing else is stated , be made on CLA conditioned minimum 24 hours at 25°C±2°C , with 40~60% RH , Input Voltage 13.8V .

2. APPLICABLE DOCUMENTS AND SPECIFICATIONS

See drawings and any other sections of this specification for the relevant reference documents . In cases where the product specification differs from the product drawings , the product drawings take precedence .

Part No.

Description

G12PCL-688-0031

5V1.5A USB

3. OPERATIONAL CONDITIONS

3.1. Rated Input Voltage	DC10.8V~30V
3.2. Rated Input Current	no load: <30mA
3.3. Rated Output Characteristic	DC 5.0V/1500mA
3.4. Operating Temperature	0°C to +55°C
3.5. Storage Temperature	-25°C to +80°C
3.6. Environment Friendly Requirement	Meets ROHS



ATW
TECH. CO., LTD.

**PRODUCT
SPECIFICATION**
G12PCL-688-0031

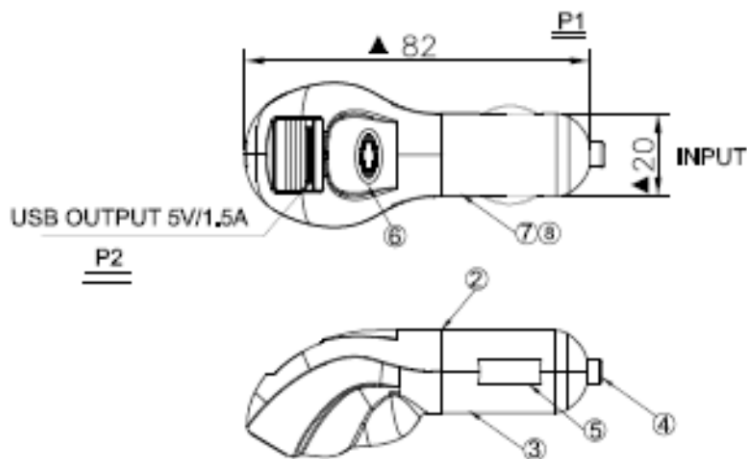
DOC.No.: WI-CA-231

DATE: 07-Mar-12'

REV.: 0

4. APPEARANCE/DIMENSION INSPECTION SPECIFIED

4.1. Appearance : see the drawing ◦



5. MECHANICAL EVALUATION TEST SPECIFICATIONS

Item	Conditions	Requirement
5.1	Drop test <ul style="list-style-type: none"> - Height : 0.75M - Floor type : Carpet - Times : 6 	<ul style="list-style-type: none"> - no crack and components loose - pass function test defined in 6.1



ATW
TECH. CO., LTD.

**PRODUCT
SPECIFICATION**
G12PCL-688-0031

DOC.No.: WI-CA-231

DATE: 07-Mar-12'

REV.: 0

6. ENVIRONMENTAL TEST SPECIFICATIONS

Item	Conditions	Requirement
6.1	Function Test <ul style="list-style-type: none"> - Input voltage : 10.8VDC~30VDC - Ambient temperature : 25±5°C 	1) output voltage <ul style="list-style-type: none"> - no load : 4.70V~5.30V - Max. load (1500mA) : 4.70V ~ 5.30V 2) No load input current : under 30mA
6.2	Output Ripple & Noise <ul style="list-style-type: none"> - Input voltage : 10.8VDC~30VDC . - Load : Max. load and no load - Operating temperature : 0~55°C - Band width : 20MHz - By pass the end of connector with 10uF electrolytic and 0.1uF ceramic capacitor 	- <100mVpp.
6.3	Reverse Input Voltage Protection <ul style="list-style-type: none"> - Input : -14.0VDC - Time : 30 second 	<ul style="list-style-type: none"> - output voltage will not exceed -1 V - fuse is allowed to blow
6.4	Power on Output Current Settling Time <ul style="list-style-type: none"> - Input : 12VDC - Load : Max. Load 	- stabilize in less than 60ms
6.5	Conducted and Radiated Emissions <ul style="list-style-type: none"> - Input : 12V Battery * 2 - Load : Max. Load 	At least -3 dB under CE requirement
6.6	Electrostatic Discharging <ul style="list-style-type: none"> - Charging gun capacitor and discharging resistor 150pF/330Ω - Contact test : 8KVA , 10 discharges - Air test : 15KVA , 10 discharges 	No components damage and pass 6.1 function tests



ATW
TECH. CO., LTD.

**PRODUCT
SPECIFICATION**
G12PCL-688-0031

DOC.No.: WI-CA-231

DATE: 07-Mar-12'

REV.: 0

7. ENVIRONMENTAL TEST SPECIFICATIONS

Item	Conditions	Requirement
7.1	Low Temperature Storage Test <ul style="list-style-type: none">- Temperature : - 40°C- Time : 72 Hours	<ul style="list-style-type: none">- appearance no crack , loose- pass function test (6.1) when samples go back to operation temperature range
7.2	High Temperature Storage Test <ul style="list-style-type: none">- Temperature : +80°C- Time : 72 Hours	<ul style="list-style-type: none">- appearance no crack , loose- pass function test (6.1) when samples go back to operation temperature range



ATW
TECH. CO., LTD.

PRODUCT SPECIFICATION G12PCL-688-0031

DOC.No.: WI-CA-231

DATE: 07-Mar-12'

REV.: 0

8. PRODUCT DRAWING

Connectors & Components:

Item	Part No.	Specification & Description	Qty	Inner Mold	Mold	Overmold	Mold	Tooling No.	Strain Relief	Mold
1.	G4200-Q276	Top Case / PC.COLOR:Black	1						S171400	PVC(64-49)136k
2.	G4201-Q218	Bottom Case/ PC.COLOR:Black	1							
3.	G4109-Q010	銅頭	1							
4.	G4104-Q099	負極薄片	1							
5.	G4250-Q052	Plum / Epoxy 藍綠黑色.	1							
6.	G4107-Q066	POSITIVE SPRING	1							
7.	G3100-Q043	PCB ASSEMBLY	1							

Special Requirement:

1. Remove all burrs and sharp edges.
2. Dimensions apply before plating.
3. Part to be packaged to prevent damage.
- 4: USB OUTPUT:5V1.5A
- 5.環境物質要求:符合ROHS標準
- 6.上下蓋合模斷差(全周)必須小於0.2mm,
- 7.上下蓋合模美工縫(SR端)必須小於0.3mm,
- 8.所有材料須符合RoHS標準.
9. DIMENSIONS MARKED "▲" TO BE CHECKED.

REV.	ECN No.	DESCRIPTION	DATE
0		試作版	01/05/12

UNITS: mm	K. ±0.5	K. ±0.2	K. ±0.1	X. ±0.2	X. ±0.1	X. ±0.1
SCALE: NONE	XX ± 0.2	XX ± 0.05				
DATE: 01/05/12	MAF.L					
SURF: 1 OF 1	FINISH					
CAD No.						

DESIGNER: chenrch	APPD: chenrch	CHKD: chenrch	DIR: chenrch
PART No. G12PCL-688-0031		TITLE: 5V1.5A	
DWG. No. G12PCL-688-0031		DATE: 01/05/12	

ATW TECHNOLOGY CO., LTD.



ATW
TECH. CO., LTD.

**PRODUCT
SPECIFICATION**
G12PCL-688-0031

DOC.No.: WI-CA-231

DATE: 07-Mar-12'

REV.: 0

9. PACKAGE

STANDARD RoHS PE PACKAGE