



PRODUCT SPECIFICATION

Detachable WIFI 2.4G 2Bi Antenna

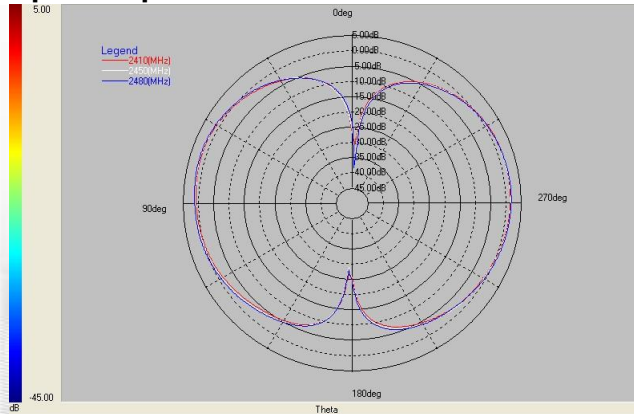
2dBi Omni-Antenna



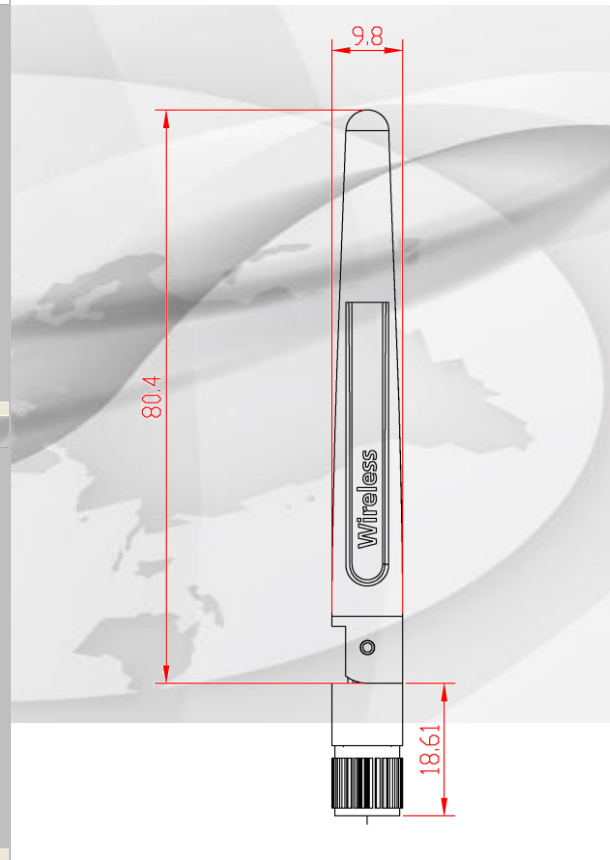
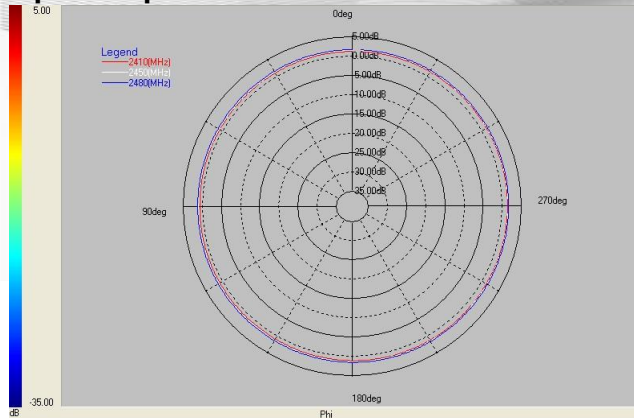
Specifications

Frequency range	2400MHz – 2500MHz
Peak gain	2dBi
Average gain	1.8dBi
VSWR	2.0:1 Max.
Polarization	Linear, vertical
Impedance	50 Ω
Temperature	-10°C ~ 55°C
Connector	R/P SMA Plug
Cable	OD113

E-plane Co-polarization Pattern



H-plane Co-polarization Pattern



常理科技股份有限公司 ATW TECHNOLOGY INC.

Add:6F., No.236, Bo'ai St., Shulin Dist., New Taipei City 23845, Taiwan

Web-site: www.atw.com.tw / Tel : +886- 2- 8685-7300 / Fax: +886- 2- 8686- 6113